

Qty. Description

1 SP 18-10



Note! Product picture may differ from actual product

Product No.: [92951204](#)

Submersible borehole pump, suitable for pumping clean water. Can be installed vertically or horizontally. All steel components are made in stainless steel, EN 1.4301 (AISI 304), that ensures high corrosive resistance. This pump carries drinking water approval.

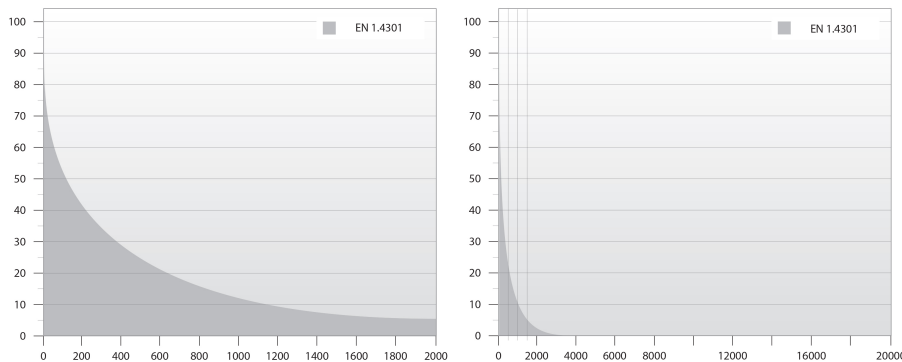
Further product details

The pump is suitable for applications similar to the following:

- raw-water supply
- irrigation
- groundwater lowering
- pressure boosting
- fountain applications.

Pump

All pump surfaces that are in contact with pumped liquids are made in stainless steel which makes them corrosion- and wear-resistant. The corrosion diagram below shows the capabilities of the pump and motor in relation to the temperature in Celsius (y-axis) and the concentration of chloride in ppm (x-axis).



The suction interconnector is fitted with a strainer to prevent large particles from entering the pump. The suction interconnector is designed to comply with NEMA standards for motor mounting/dimensions.

Motor

The stator is hermetically encapsulated in stainless steel and the windings are embedded in polymer compound. This results in high mechanical stability, optimum cooling and reduces the risk of short circuits in the windings.

Liquid:

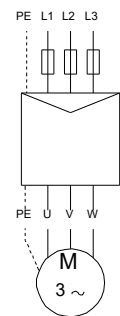
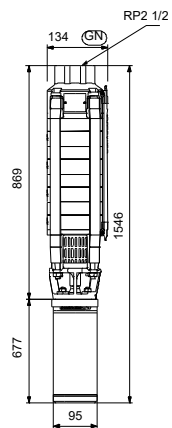
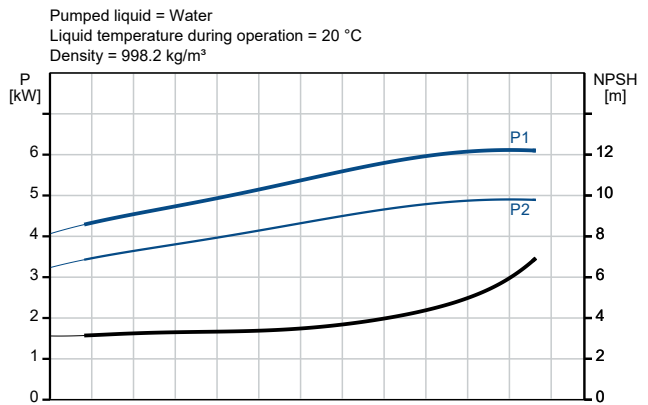
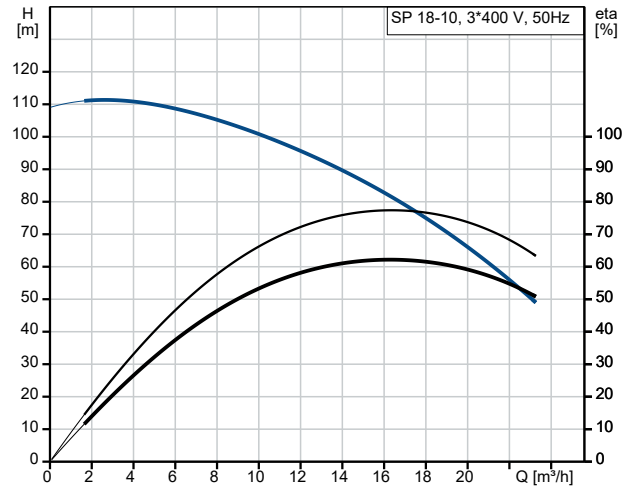
Pumped liquid: Water
 Liquid temperature range: -15 .. 40 °C
 Selected liquid temperature: 20 °C
 Density: 998.2 kg/m³

Technical:

Pump speed on which pump data are based: 2900 rpm

Qty.	Description	
1	Rated flow:	18 m ³ /h
	Rated head:	76 m
	Approvals:	CE,EAC,UKCA,SEPRO,MOROCCO
	Approvals for motor:	CE,EAC,C_UL_US_NSF372MOROCCO,UKCA,SEPRO
	Approvals for drinking water:	ACS,DM174
	Curve tolerance:	ISO9906:2012 3B
	Motor version:	T40
	Return valve:	YES
	Materials:	
	Pump:	Stainless steel EN 1.4301 AISI 304
	Impeller:	Stainless steel EN 1.4301 AISI 304
	Motor:	Stainless steel EN 1.4301
	Shaft seal:	HM/Ceramics
	Installation:	
	Maximum ambient pressure:	60 bar
	Maximum operating pressure:	60 bar
	Maximum outlet pressure:	11.1 bar
	Type of connection:	Rp
	Size of connection:	2 1/2 inch
	Motor diameter:	4 inch
	Minimum borehole diameter:	140 mm
	Electrical data:	
	Motor type:	MS4000
	Motor flange design:	Grundfos
	Rated power - P2:	5.5 kW
	Power (P2) required by pump:	5.5 kW
	Mains frequency:	50 Hz
	Rated voltage:	3 x 380-400-415 V
	Rated current:	13-13-13.4 A
	Starting current:	470-500-510 %
	Cos phi - power factor:	0.85-0.81-0.76
	Rated speed:	2840-2860-2880 rpm
	Method of start:	Direct-on-line (DOL)
	Enclosure class (IEC 34-5):	IP68
	Insulation class (IEC 85):	F
	Built-in motor protection:	NONE
	Thermal protection:	External
	Built-in temp. transmitter:	No
	Length of cable:	2.5 m
	Power cable type:	FLAT
	Motor No:	7C192511
	Windings:	Enameled
	Others:	
	Minimum efficiency index, MEI ≥:	0.70
	Net weight:	43.6 kg
	Gross weight:	69.3 kg
	Shipping volume:	0.2 m ³
	Environmental approvals:	WEEE

Description	Value
General information:	
Product name:	SP 18-10
Product No:	92951204
EAN number:	5715122055979
Technical:	
Pump speed on which pump data are based:	2900 rpm
Rated flow:	18 m ³ /h
Rated head:	76 m
Stages:	10
Number of reduced-diameter impellers:	NONE
Approvals:	CE,EAC,UKCA,SEPRO,MOROCO
Approvals for motor:	CE,EAC,C_UL_US_NSF372MOROCO,UKCA,SEPRO
Approvals for drinking water:	ACS,DM174
Curve tolerance:	ISO9906:2012 3B
Model:	B
Motor version:	T40
Return valve:	YES
Materials:	
Pump:	Stainless steel
Pump:	EN 1.4301
Pump:	AISI 304
Impeller:	Stainless steel
Impeller:	EN 1.4301
Impeller:	AISI 304
Motor:	Stainless steel
Motor:	EN 1.4301
Shaft seal:	HM/Ceramics
Installation:	
Maximum ambient pressure:	60 bar
Maximum operating pressure:	60 bar
Maximum outlet pressure:	11.1 bar
Type of connection:	Rp
Size of connection:	2 1/2 inch
Motor diameter:	4 inch
Minimum borehole diameter:	140 mm
Liquid:	
Pumped liquid:	Water
Liquid temperature range:	-15 .. 40 °C
Selected liquid temperature:	20 °C
Density:	998.2 kg/m ³
Electrical data:	
Motor type:	MS4000
Motor flange design:	Grundfos
Rated power - P2:	5.5 kW
Power (P2) required by pump:	5.5 kW
Mains frequency:	50 Hz
Rated voltage:	3 x 380-400-415 V
Rated current:	13-13-13.4 A
Starting current:	470-500-510 %
Cos phi - power factor:	0.85-0.81-0.76
Rated speed:	2840-2860-2880 rpm
Method of start:	Direct-on-line (DOL)
Enclosure class (IEC 34-5):	IP68
Insulation class (IEC 85):	F
Built-in motor protection:	NONE





Company name:

Created by:

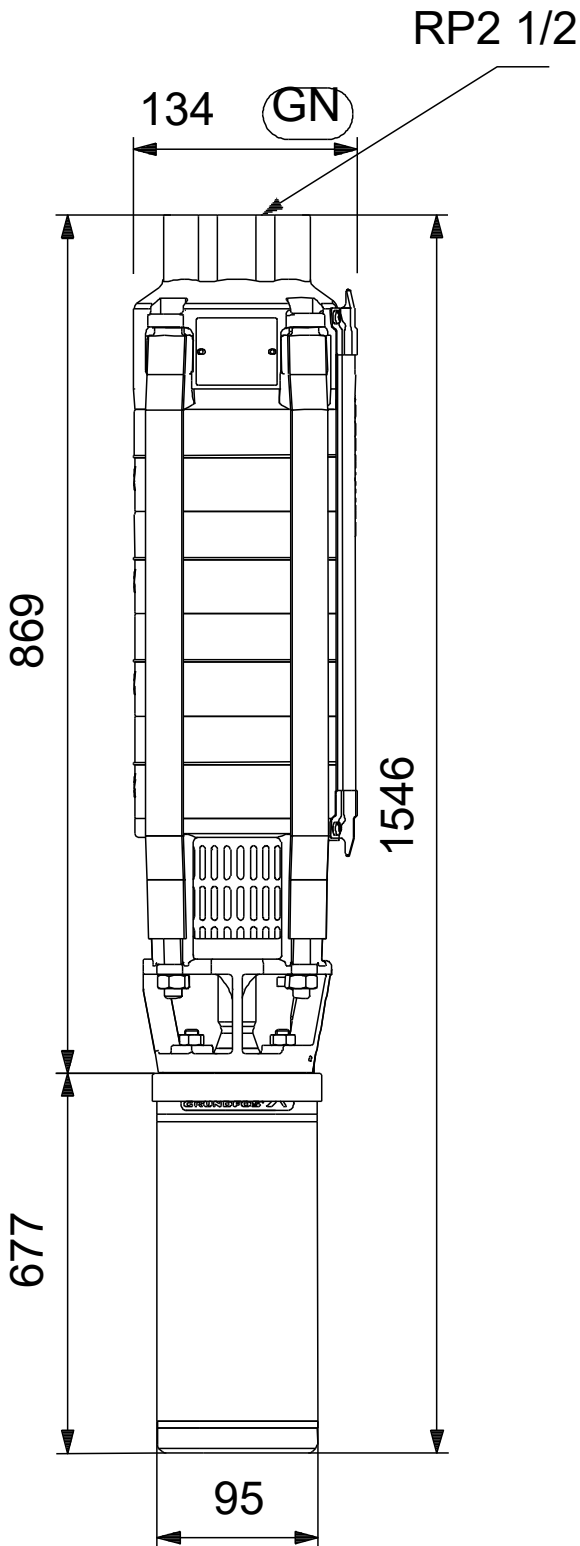
Phone:

Date:

25/10/2024

Description	Value
Thermal protection:	External
Built-in temp. transmitter:	No
Length of cable:	2.5 m
Power cable type:	FLAT
Motor No:	7C192511
Cable number:	99410241
Windings:	Enameled
Others:	
Minimum efficiency index, MEI \geq :	0.70
Net weight:	43.6 kg
Gross weight:	69.3 kg
Shipping volume:	0.2 m ³
Environmental approvals:	WEEE

92951204 SP 18-10 50 Hz



Note! All units are in [mm] unless others are stated.
Disclaimer: This simplified dimensional drawing does not show all details.