

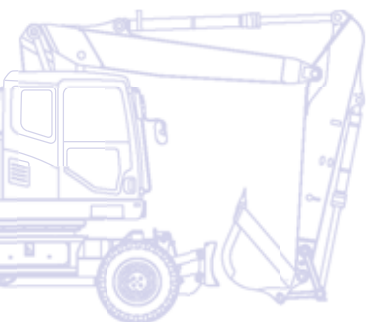
KOMATSU

**PW
148**



Hydraulic Wheeled Excavator

PW148-8



ENGINE POWER
90 kW / 121 HP @ 2.200 rpm

OPERATING WEIGHT
13.220 - 15.750 kg

BUCKET CAPACITY
max. 0,86 m³

Courtesy of Machine.Market

Walk-Around

The experts at Komatsu designed the PW148-8 with a drastically reduced tail swing to meet the demands of safe and productive work on all job sites that have limited space. Compact, powerful and versatile, this hydraulic wheeled excavator is the perfect machine in urbanised areas or for road construction. Performance and quality. It's what you can expect from all Komatsu equipment, and the PW148-8 delivers.

Total versatility

- Compact design
- Additional hydraulic circuit
- A wide choice of options



Powerful and environmentally friendly

- Excellent travel performance
- Low consumption ecot3 engine
- Meets EU Stage IIIA
- Komatsu integrated hydraulic system
- High lift capacity



PW148-8

ENGINE POWER
90 kW / 121 HP @ 2.200 rpm

OPERATING WEIGHT
13.220 - 15.750 kg

BUCKET CAPACITY
max. 0,86 m³

First-class operator comfort

- Wide spacious cab
- Air-suspended, heated seat
- Automatic climate control
- Convenient storage space
- Large, widescreen TFT monitor panel



State of the art controls

- Proportional controls
- Easy operation
- Selectable working modes
- Flexible and versatile

Easy Maintenance

- Simple and convenient service
- Easy radiator access
- Centralised greasing system
- Large TFT monitor
- Electric refuelling pump



KOMTRAX

Komatsu Satellite Monitoring
System

Total Versatility

Compact design

The PW148-8 is perfect for confined work sites, with a compact design and a tail swing radius of only 1.850 mm. In urbanised areas, but also on road or sewer construction sites where space is limited, the PW148-8 is a high output performer and offers more safety and less worries for the operator.

Additional hydraulic circuit

To allow the use of many attachments, such as buckets, breakers or clamshell buckets, an additional hydraulic circuit controlled by a sliding joystick button, is standard on the PW148-8. To further increase versatility and flexibility, a second optional auxiliary line and an optional hydraulic quick-coupler actuation are also available.

A wide choice of options

With a choice of different styles of boom, arm and undercarriage attachments, you can configure the PW148-8 to match specific demands for transport, working envelope or duty. The excavator can for instance be equipped with a parallel-moving dozer blade that stabilizes the machine without damaging street surfaces. Extra hydraulic arrangements are available for every boom and arm configuration, to make sure that the PW148-8 always contributes strongly to your business.





First-Class Operator Comfort

Wide spacious cab

The wide opening cabin door and the tilting left console grant easy and safe access to the Space-Cab™. Inside, a well structured layout allows the operator to quickly get familiar with the user friendly controls and dials.

Automatic climate control

Climate control is integrated in the Equipment Management and Monitoring System (EMMS) and is installed on all PW148-8 excavators. When in automatic mode, the operator can simply set the air conditioning to the most convenient cabin temperature and enjoy a constant temperature throughout the work shift. The type of ventilation can also be selected – either fresh air or circulated air only.

Air-suspended, heated seat

The high comfort air-suspended seat, with a heating function, lumbar support and multiple possibilities for adjustments, ensures the operator's well being during the entire working day. The seat and the side consoles can be adjusted individually to fit each operator's preference.

Convenient storage space

The large cab offers a lot of space for personal belongings. The operator's manual and other documents can safely be stored in a special document rack. All types of tools can be arranged in a large tool box (250 litres) attached to the undercarriage. If further storage room is required, a second optional tool box can be installed.



Automatic air conditioner



Hot and cool box



Large tool box



Large, widescreen TFT monitor panel

To enable safe, accurate and smooth work, the user friendly monitor is the highly intuitive user interface for the machine's Equipment Management and Monitoring System (EMMS). Multilingual and with all essential information available at a glance, it features simple and easy-to-operate switches and multifunction keys that provide the operator with fingertip access to a wide range of functions and operating information.



State of the Art Controls

Proportional controls

The ergonomic joysticks with proportional controls were specially redesigned and developed for working with a wheeled excavator. They have horizontal sliders for the first attachment line - and for the second optional one - and offer safe and precise operation of attachments such as ditch cleaning buckets, sorting grapples, clam-shell buckets, tilt rotators and of many other hydraulic attachments that require very fine control.

Easy operation

The Komatsu PW148-8 introduces a new operational concept that puts full control of the machine right at the operator's fingertips. A rear-view camera, undercarriage attachments and the manual axle lock can all be actuated by buttons on top of the operational levers. Without removing the hand from the right joystick, the operator can switch its function from boom operation to undercarriage control- for complete and precise control over the parallel dozer blade.

Selectable working modes

The PW148-8 features several selectable working modes (Power, Economy, Lifting, Breaker etc.) that optimise performance and fuel usage. The economy mode can be fine tuned for an ideal balance between power and economy to match your work. The oil flow delivered to hydraulic attachments is adjustable directly on the class-leading wide screen monitor panel.

Flexible and versatile

The PW148-8 is factory prepared for the use of any standard tilt rotator. In combination with the optional hydraulic quick-coupler actuation, it achieves a maximum of versatility in any application.





Powerful and Environmentally Friendly

Excellent travel performance

Wheeled excavators are built to move quickly on and between jobsites. To increase its mobility, the PW148-8 features a completely reworked driveline for faster travel and uphill driving speeds. For extra comfort, cruise control and a driveline-power-up function are also standard equipment.

Low consumption ecot3 engine

The Komatsu SAA4D107E-1 engine provides high torque, a better performance at low speed and low fuel consumption. This ecot3 engine features a new combustion chamber design with optimised ignition and combustion timing. The operating pressure of the new common rail system was increased for improved injection and fuel efficiency. The air-to-air intercooler reduces the temperature of the compressed air supplied by the turbo charger to the cylinders, and further improves fuel consumption.

Meets EU Stage IIIA

The Komatsu ecot3 engine technology reduces NOx and particle emissions, fuel consumption and noise level. The Komatsu SAA4D107E-1 engine is certified for EPA Tier III and EU Stage IIIA emission regulations.

Komatsu integrated hydraulic system

The PW148-8 is a highly responsive and productive machine with all major hydraulic parts designed and manufactured by Komatsu. The electronic Closed-centre Load Sensing hydraulic System (CLSS) offers complete control during individual or combined movements - without sacrificing performance or productivity.



Komatsu SAA4D107E-1



Courtesy of Machine.Market

High lift capacity

Along with its class leading compact size, the PW148-8 features an unrivalled lifting performance. The combination of power, convenient dimensions and complete control makes the PW148-8 the first choice for heavy duty lifting applications or simple excavating tasks in narrow alleys, road-construction sites and for sewer-construction work.



Easy Maintenance

Simple and convenient service

The large doors and engine hood give convenient access to all daily service points. Filters are centralized and required service intervals are longer to keep machine downtime to a minimum.

Easy radiator access

Thanks to a side-by-side cooler arrangement, the aftercooler and hydraulic oil radiator can be cleaned easily and repaired individually in case of damage.

Centralised greasing system

The PW148-8 features a centralised system that facilitates the regular greasing of the complete revolving frame, boom system and of the centre joint. An optional fully automatic greasing system can handle the regular and proper greasing of the complete machine – prolonging the lifetime and increasing the resale value of the excavator.

Large TFT monitor

Simple, and with self-explanatory user guidance, the large TFT monitor displays additional functionalities, which the Komatsu service team can use to perform the complete troubleshooting and analysis of the PW148-8 – with no need for a laptop or sophisticated electronic tools.

Electric refuelling pump

Standard equipment on all PW148-8 includes an automatic shut-off fuelling pump that allows easy refuelling from a barrel.



Automatic greasing system (option)



Electric refuelling pump



Centralised service station





Komatsu Satellite Monitoring System



KOMTRAX™ is a revolutionary machine tracking system designed to save you time and money. You can now monitor your equipment anytime and anywhere. Use valuable machine data received via the KOMTRAX™ web site to optimise your maintenance planning and machine performances.

KOMTRAX™ can assist you with:

Full machine monitoring

Get detailed operation data to know when your machines are used and how productive they are.

Total Fleet Management

Keep track of the location of your machines at all times and discourage unapproved usage or theft.

Complete machine status

Receive warnings, alerts and cautions, via a web site or by e-mail, to help with maintenance planning and for longer machine life.

For further details on KOMTRAX™, please ask your Komatsu dealer for the latest KOMTRAX™ brochure.





Machine working time - With the "daily working record" chart, get precise engine running time data: when your machine was started and when it was shut down, as well as total engine running time.



Maintenance planning - To increase productivity and improve maintenance planning, alerts indicate when items such as filters or oil must be replaced.



Fleet location - The machine list instantly locates all your machines, even those in other countries.



Machine tracking during transport - When your machine is transported, KOMTRAX™ sends travel messages to the web site or by e-mail to inform you of its progress, and confirms when it reaches its destination.



Alarm notifications - You can receive notification of alarms both via the KOMTRAX™ website and by e-mail.



Added security - The "engine lock" feature allows to program when a machine's engine can be started. And with "geo-fence", KOMTRAX™ sends notification every time your machine moves in or out of a predetermined operating area.



Highest Safety Standards

Short tail swing radius

1,85 m – Because the tail of the PW148-8 is more compact than conventional models, there is less need for the operator to check for movement from behind.

Rear view camera

A standard fit camera gives an exceptionally clear view of the rear work zone on a wide-screen monitor panel. Large mirrors on both sides ensure that machine visibility meets the latest ISO standards.

Optimal job site safety

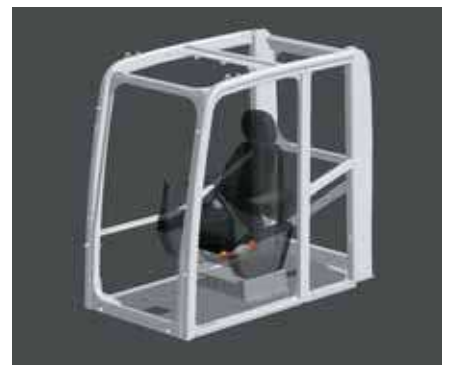
Safety features on the Komatsu PW148-8 comply with the latest industry standards and work together as a system to minimise risks to personnel in and around the machine. An audible travel alarm further promotes job site safety. Very durable anti-slip plates – with additional high friction covering – maintain long term traction performance.

Safe operation in confined areas

The compact tail design minimises the risks of rear impact and lets the operator concentrate fully on the job. The machine can work safely in narrow spaces or where there are a number of obstructions.

Safe SpaceCab™

Specifically designed for Komatsu excavators, the Dash 8 cab has a tubular steel frame. It provides very high shock absorbency, impact resistance and durability. The seat belt keeps the operator in the safety zone of the cab in the event of a roll-over. On request, the Komatsu PW148-8 can also be fitted with an ISO 10262 Level 2 Falling Object Protective System (FOPS).





Specifications

ENGINE

Model	Komatsu SAA4D107E-1
Type.....	Common rail direct injection, water-cooled, emissionised, turbocharged, after-cooled diesel
Engine power	
at rated engine speed	2.200 rpm
ISO 14396	90,0 kW/121 HP
ISO 9249 (net engine power)	86,0 kW/115 HP
No. of cylinders	4
Bore × stroke.....	107 × 124 mm
Displacement.....	4,5 ltr
Batteries	2 × 12 V/120 Ah
Alternator	24 V/60 A
Starter motor	24 V/4,5 kW
Air filter type	Double element type with monitor panel dust indicator and auto dust evacuator
Cooling	Suction type cooling fan

HYDRAULIC SYSTEM

Type.....	HydrauMind. Closed-centre system with load sensing and pressure compensation valves
Additional circuits.....	Depending on the specification up to 2 additional proportional control & quick coupler circuits can be installed
Main pump	Variable displacement piston pump supplying boom, arm, bucket, swing and travel circuits
Maximum pump flow.....	252 ltr/min
Relief valve settings	
Implement	380 bar
Travel.....	380 bar
Swing.....	280 bar
Pilot circuit	37 bar

BRAKE SYSTEM

Type.....	Dual circuit hydraulic braking system supplied from a separate gear pump.
Service brakes.....	Pedal actuated wet multi-disc brakes integrated into the axle hubs.
Parking brake	Electrically actuated wet multi-disc “spring actuation hydraulic release” brake integrated into the transmission.

ENVIRONMENT

Engine emissions	Fully complies with EU Stage IIIA and EPA Tier III exhaust emission regulations
Noise levels	
LwA external	101 dB(A) (2000/14/EC Stage II)
LpA operator ear.....	70 dB(A) (ISO 6396 dynamic test)

SWING SYSTEM

Type.....	Axial piston motor driving through planetary double reduction gearbox
Swing lock	Electrically actuated wet multi-disc brake integrated into swing motor
Swing speed.....	0 - 11 rpm
Swing torque	31 kNm

TRANSMISSION

Type.....	Fully automatic power shift transmission with permanent 4 wheel drive
Travel motors.....	One variable displacement axial piston motor
Maximum pressure.....	380 bar
Travel modes	Automatic + 3 travel modes
Max. travel speeds	
Hi / Lo / Creep	35,0 / 9,0 / 2,5 km/h
A max. speed restriction of 20 km/h is available as an option.	
Maximum drawbar pull.....	8.900 kg
Axle oscillation	10° Lockable in any position from the operator cab.

STEERING SYSTEM

Steering control	Hydraulic steering system supplied from a separate gear pump and controlled through LS orbitrol & priority valves.
Minimum turning radius.....	6.450 mm (to center of outer wheel)

SERVICE REFILL CAPACITIES

Fuel tank.....	275 ltr
Radiator	16 ltr
Engine oil.....	17 ltr
Swing drive.....	2,5 ltr
Hydraulic tank	123 ltr
Transmission.....	4,85 ltr
Front differential	10,5 ltr
Rear differential	9,5 ltr
Front axle hub	2,5 ltr
Rear axle hub	2,0 ltr
Swing pinion grease bath amount.....	10,5 ltr

OPERATING WEIGHT (APPR.)

Undercarriage attachment type	Mono boom	Two-piece boom
Without	13.220 kg	13.600 kg
Rear blade	13.810 kg	14.190 kg
Rear outrigger	14.310 kg	14.660 kg
2 outriggers + blade	14.895 kg	15.250 kg
4 outriggers	15.400 kg	15.750 kg

Operating weight, including specified work equipment, 2.500 mm arm, operator, lubricant, coolant, full fuel tank and the standard equipment. Weights are without bucket.

MAX. BUCKET CAPACITY AND WEIGHT

Arm length	Mono boom		
	2,1 m	2,5 m	3,0 m
Material weight up to 1,2 t/m ³	0,86 m ³ 600 kg	0,80 m 550 kg	0,68 m 500 kg
Material weight up to 1,5 t/m ³	0,73 m ³ 525 kg	0,68 m 500 kg	0,58 m 450 kg
Material weight up to 1,8 t/m ³	0,63 m ³ 475 kg	0,50 m 450 kg	0,50 m 425 kg

Arm length	Two-piece boom		
	2,1 m	2,5 m	3,0 m
Material weight up to 1,2 t/m ³	0,77 m ³ 550 kg	0,71 m ³ 525 kg	0,62 m ³ 475 kg
Material weight up to 1,5 t/m ³	0,65 m ³ 500 kg	0,60 m ³ 475 kg	0,53 m ³ 425 kg
Material weight up to 1,8 t/m ³	0,57 m ³ 450 kg	0,52 m ³ 425 kg	0,45 m ³ 400 kg

Max. capacity and weight have been calculated according to ISO 10567:2007.

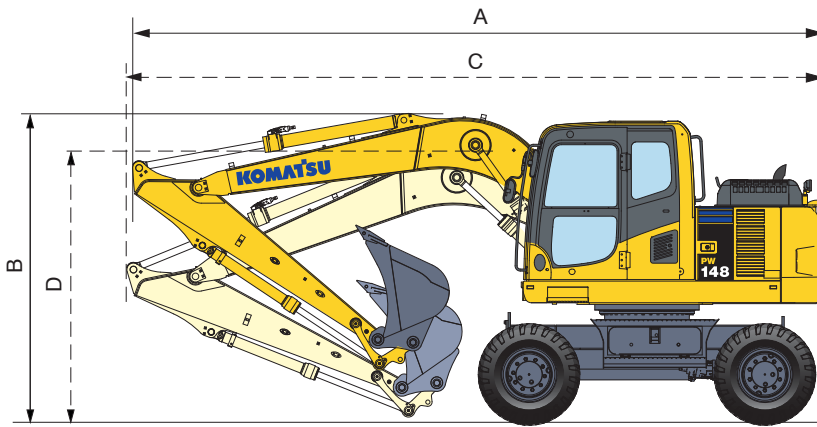
Please consult with your distributor for the correct selection of buckets and attachments to suit the application.

BUCKET AND ARM FORCE

Arm length	2,1 m	2,5 m	3,0 m
Bucket digging force	86 kN	86 kN	86 kN
Bucket digging force at PowerMax	93 kN	93 kN	93 kN
Arm crowd force	74 kN	62 kN	52 kN
Arm crowd force at PowerMax	80 kN	67 kN	56 kN

Dimensions

MONO BOOM



Driving position

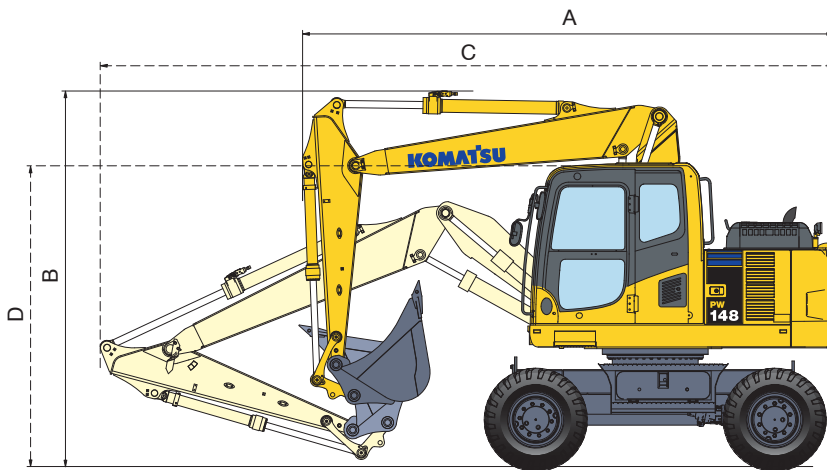
Arm length	A	B
2.100 mm	7.120 mm	3.680 mm
2.500 mm	7.120 mm	3.680 mm
3.000 mm *	7.160 mm	3.680 mm

Transport position

Arm length	C	D
2.100 mm	7.370 mm	2.850 mm
2.500 mm	7.375 mm	2.945 mm
3.000 mm	7.395 mm	3.225 mm

* Driving position without bucket

TWO-PIECE BOOM



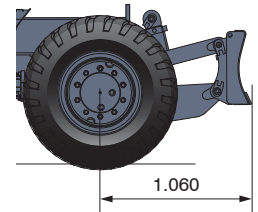
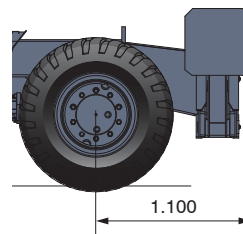
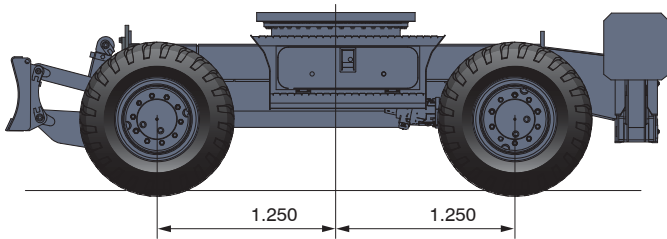
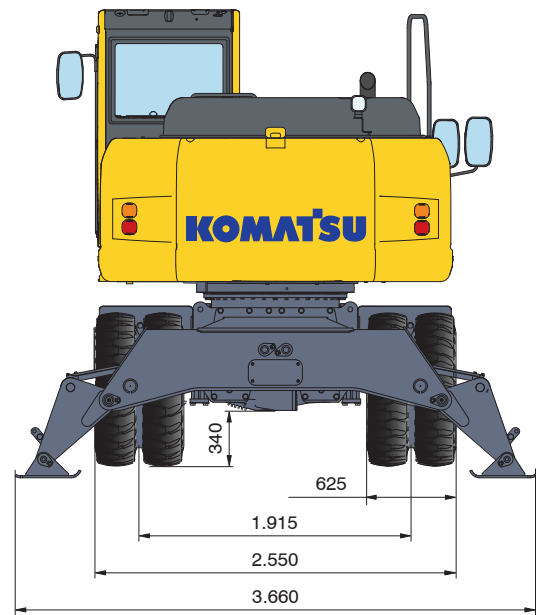
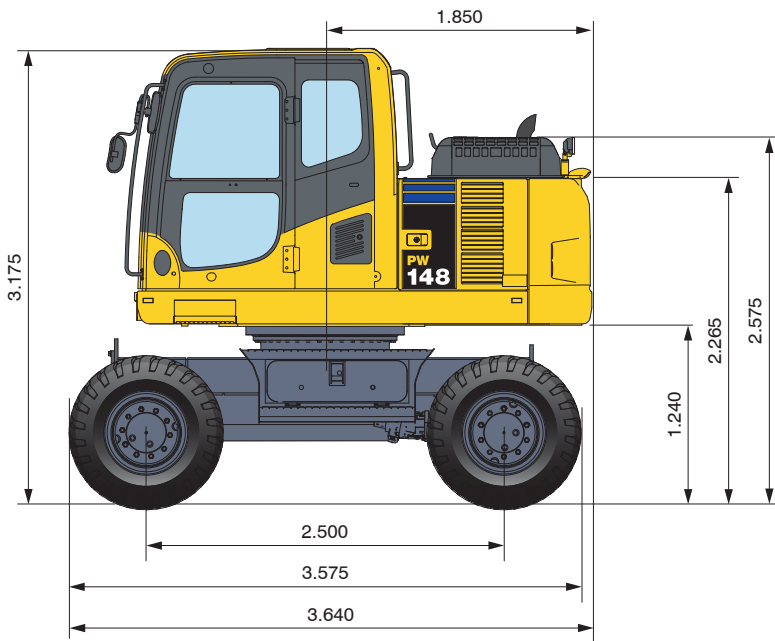
Driving position

Arm length	A	B
2.100 mm	5.545 mm	3.910 mm
2.500 mm	5.545 mm	3.910 mm
3.000 mm *	5.545 mm	3.910 mm

Transport position

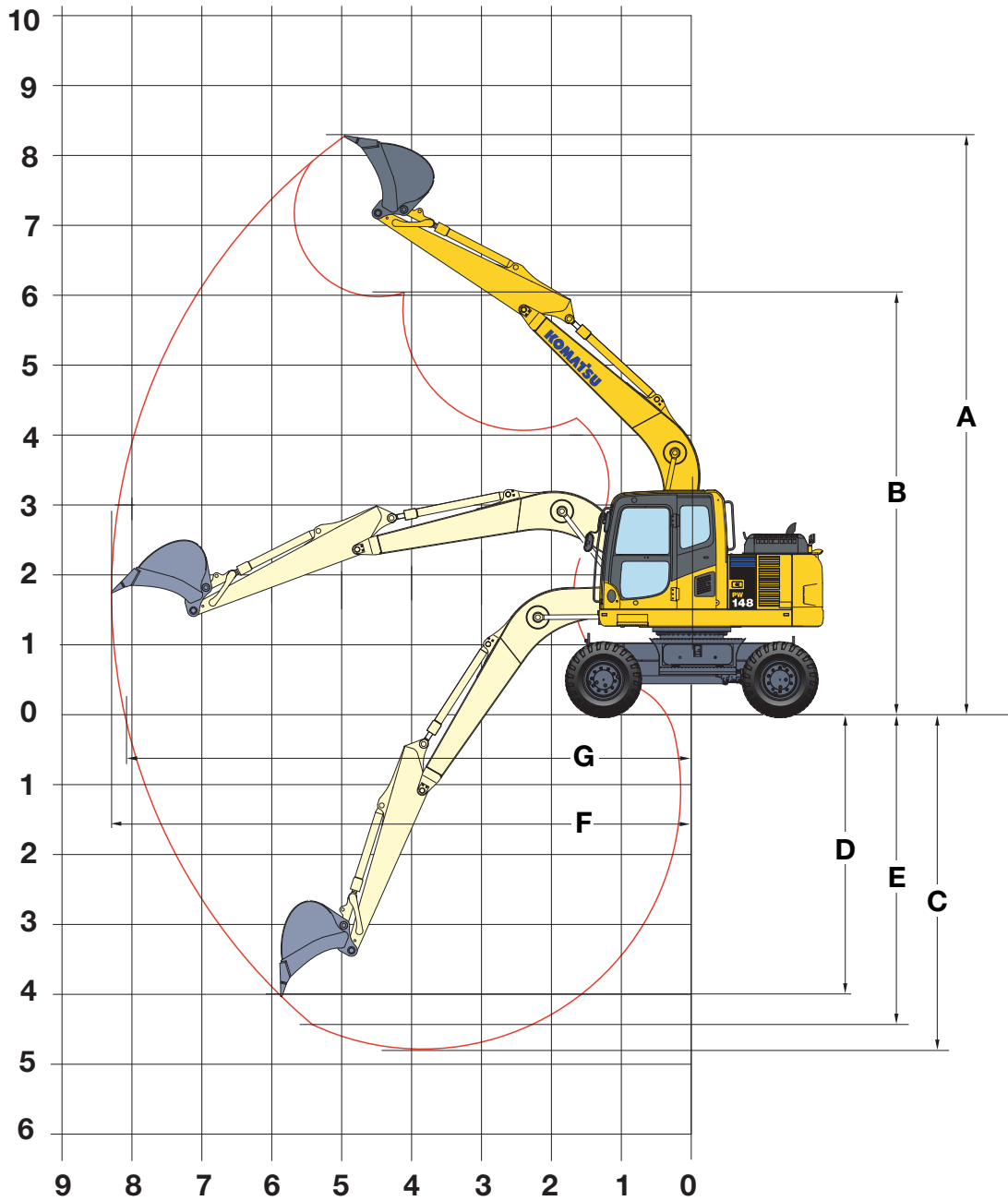
Arm length	C	D
2.100 mm	7.690 mm	3.155 mm
2.500 mm	7.690 mm	3.155 mm
3.000 mm	7.690 mm	3.155 mm

* Driving position without bucket



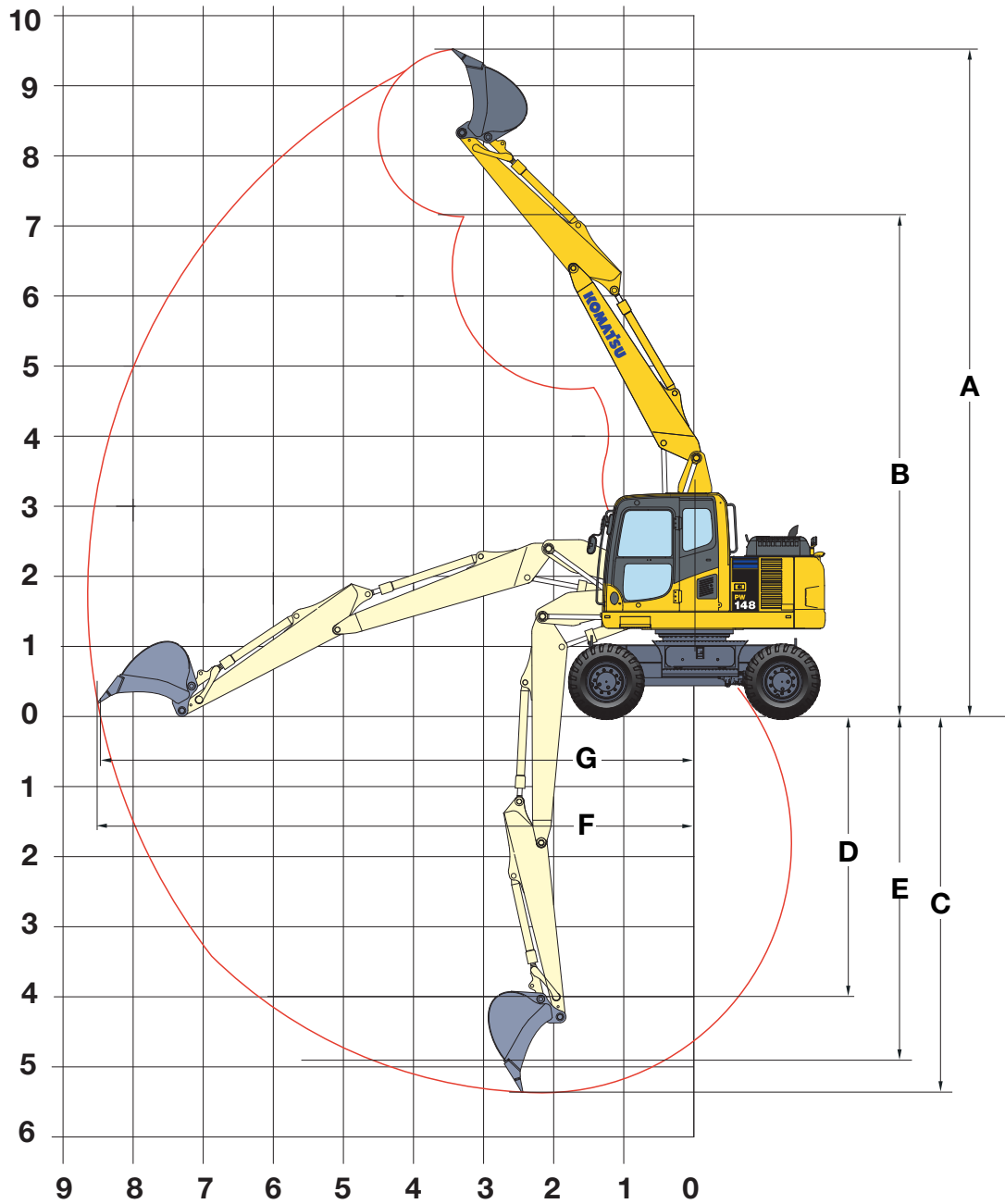
Working Range

MONO BOOM



ARM LENGTH	2.100 mm	2.500 mm	3.000 mm
A Max. digging height	7.980 mm	8.270 mm	8.703 mm
B Max. dumping height	5.731 mm	6.020 mm	6.449 mm
C Max. digging depth	4.462 mm	4.860 mm	5.362 mm
D Max. vertical wall digging depth	3.630 mm	4.005 mm	4.470 mm
E Max. digging depth of cut for 2,44 m level	4.025 mm	4.570 mm	4.955 mm
F Max. digging reach	7.928 mm	8.290 mm	8.775 mm
G Max. digging reach at ground level	7.740 mm	8.140 mm	8.640 mm
Min. swing radius	2.965 mm	2.910 mm	2.925 mm




TWO-PIECE BOOM

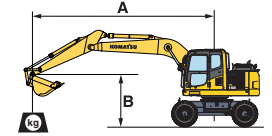


ARM LENGTH	2.100 mm	2.500 mm	3.000 mm
A Max. digging height	9.228 mm	9.518 mm	9.951 mm
B Max. dumping height	6.844 mm	7.133 mm	7.562 mm
C Max. digging depth	4.845 mm	5.245 mm	5.745 mm
D Max. vertical wall digging depth	3.555 mm	4.000 mm	4.495 mm
E Max. digging depth of cut for 2,44 m level	4.515 mm	4.935 mm	5.460 mm
F Max. digging reach	8.268 mm	8.681 mm	9.000 mm
G Max. digging reach at ground level	7.740 mm	8.140 mm	8.640 mm
Min. swing radius	2.590 mm	2.670 mm	2.864 mm

Lifting Capacity

MONO BOOM

Arm length	A	7,5 m		6,0 m		4,5 m		3,0 m		
		Rating over front	Rating over side	Rating over front	Rating over side	Rating over front	Rating over side	Rating over front	Rating over side	
 <p>Without stabilizer</p>	2,1 m	7,5 m kg								
		6,0 m kg	*2.350	2.150						
		4,5 m kg	2.100	1.550	2.400	1.800	4.000	3.050		
		3,0 m kg	1.800	1.300	2.300	1.700	3.750	2.750	7.550	5.450
		1,5 m kg	1.700	1.200	2.200	1.600	3.500	2.500	*7.750	4.300
		0,0 m kg	1.750	1.250	2.100	1.500	3.300	2.150	*7.250	4.050
		- 1,5 m kg	2.000	1.450	2.100	1.500	3.250	2.350	*6.250	3.950
		- 3,0 m kg	2.800	2.050			3.350	2.400	*5.650	4.600
	2,5 m	7,5 m kg								
		6,0 m kg	*1.900	1.850						
		4,5 m kg	*1.800	1.400	2.400	1.800				
		3,0 m kg	1.600	1.150	2.350	1.750	3.850	2.850	*7.250	5.700
		1,5 m kg	1.550	1.100	2.200	1.600	3.550	2.550	*8.300	4.400
		0,0 m kg	1.550	1.100	2.100	1.500	3.300	2.200	*7.250	4.050
		- 1,5 m kg	1.800	1.250	2.050	1.450	3.250	2.300	*6.200	3.950
		- 3,0 m kg	2.400	1.700			3.250	2.350	6.500	4.500
	3,0 m	7,5 m kg								
		6,0 m kg	*1.600	1.500	2.450	1.850				
		4,5 m kg	*1.550	1.150	2.450	1.850				
		3,0 m kg	1.400	1.000	2.350	1.700	3.850	2.850		
		1,5 m kg	1.300	900	1.450	1.000	2.200	1.600	3.550	2.550
		0,0 m kg	1.350	900	1.400	950	2.050	1.450	3.200	1.650
		- 1,5 m kg	1.500	1.050	2.000	1.400	3.000	2.200	5.650	3.850
		- 3,0 m kg	1.900	1.350	2.000	1.400	3.150	2.200	6.300	4.350
 <p>Front or rear blade</p>	2,1 m	7,5 m kg								
		6,0 m kg	*2.350	*2.350						
		4,5 m kg	*2.200	1.750	*3.800	2.000	*4.550	3.400		
		3,0 m kg	*2.250	1.500	*4.150	1.900	*5.150	3.150	*8.000	6.100
		1,5 m kg	*2.450	1.400	*4.450	1.800	*6.050	2.900	*7.750	5.250
		0,0 m kg	*2.900	1.450	*4.450	1.750	*6.150	2.700	*7.250	5.000
		- 1,5 m kg	*3.550	1.650	*3.800	1.700	*5.600	2.650	*6.250	5.000
		- 3,0 m kg	*3.100	2.300			*3.850	2.750	*5.650	5.250
	2,5 m	7,5 m kg								
		6,0 m kg	*1.900	*1.900						
		4,5 m kg	*1.800	1.550	*3.700	2.050				
		3,0 m kg	*1.850	1.350	*3.950	1.950	*4.850	3.200	*7.250	6.350
		1,5 m kg	*2.000	1.250	*4.350	1.800	*5.850	2.900	*8.300	5.400
		0,0 m kg	*2.300	1.300	*4.450	1.700	*6.100	2.700	*7.250	5.050
		- 1,5 m kg	*2.950	1.450	*4.050	1.700	*5.850	2.650	*6.200	5.000
		- 3,0 m kg	*3.100	1.950			*4.500	2.650	*6.500	5.150
	3,0 m	7,5 m kg								
		6,0 m kg	*1.600	*1.600	*2.700	2.050				
		4,5 m kg	*1.550	1.300	*3.350	2.050				
		3,0 m kg	*1.550	1.150	*2.400	1.200	*3.650	1.950	*4.400	3.250
		1,5 m kg	*1.650	1.050	*2.950	1.150	*4.150	1.800	*5.500	2.950
		0,0 m kg	*1.900	1.100	*2.650	1.100	*4.350	1.650	*5.950	2.650
		- 1,5 m kg	*2.350	1.200	*4.200	1.600	*5.800	2.550	*5.850	4.400
		- 3,0 m kg	*2.900	1.550	*3.200	1.600	*4.950	2.550	*6.600	4.950
 <p>Rear outrigger</p>	2,1 m	7,5 m kg								
		6,0 m kg	*2.350	*2.350						
		4,5 m kg	*2.200	*2.200	*3.800	2.550	*4.550	4.250		
		3,0 m kg	*2.250	1.900	*4.150	2.450	*5.150	4.000	*8.000	*8.000
		1,5 m kg	*2.450	1.800	*4.450	2.350	*6.050	3.750	*7.750	*7.750
		0,0 m kg	*2.900	1.900	*4.450	2.250	*6.150	3.550	*7.250	*7.250
		- 1,5 m kg	*3.550	2.150	*3.800	2.250	*5.600	3.500	*6.250	*6.250
		- 3,0 m kg	*3.100	3.000			*3.850	3.550	*5.650	*5.650
	2,5 m	7,5 m kg								
		6,0 m kg	*1.900	*1.900						
		4,5 m kg	*1.800	*1.800	*3.700	2.600				
		3,0 m kg	*1.850	1.750	*3.950	2.500	*4.850	4.050	*7.250	*7.250
		1,5 m kg	*2.000	1.650	*4.350	2.350	*5.850	3.750	*8.300	*8.300
		0,0 m kg	*2.300	1.700	*4.450	2.250	*6.100	3.550	*7.250	*7.250
		- 1,5 m kg	*2.950	1.900	*4.050	2.200	*5.850	3.450	*6.200	*6.200
		- 3,0 m kg	*3.100	2.550			*4.500	3.500	*6.500	*6.500
	3,0 m	7,5 m kg								
		6,0 m kg	*1.600	*1.600	*2.700	2.600				
		4,5 m kg	*1.550	*1.550	*3.350	2.650				
		3,0 m kg	*1.550	1.500	*2.400	1.600	*3.650	2.500	*4.400	4.100
		1,5 m kg	*1.650	1.400	*2.950	1.550	*4.150	2.350	*5.500	3.800
		0,0 m kg	*1.900	1.450	*2.650	1.500	*4.350	2.200	*5.950	3.500
		- 1,5 m kg	*2.350	1.600	*4.200	2.150	*5.800	3.350	*5.850	*5.850
		- 3,0 m kg	*2.900	2.050	*3.200	2.150	*4.950	3.350	*6.600	*6.600





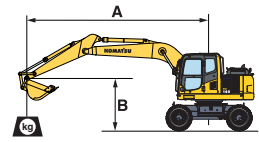
- A – Reach from swing center
- B – Bucket hook height
- C – Lifting capacities, including bucket (440 kg), bucket linkage (84 kg) and bucket cylinder (96 kg)
- Rating over front
- Rating over side
- Rating at maximum reach

When removing bucket, linkage or cylinder, lifting capacities can be increased by their respective weights.

* Load is limited by hydraulic capacity rather than tipping. Ratings are based on SAE Standard No. J1097. Rated loads do not exceed 87% of hydraulic lift capacity or 75% of tipping load.

MONO BOOM

Arm length	A B	⊗		7,5 m		6,0 m		4,5 m		3,0 m			
		⊗	⊗	⊗	⊗	⊗	⊗	⊗	⊗	⊗	⊗		
 <p>Outrigger + blade</p>	2,1 m	7,5 m	kg										
		6,0 m	kg	*2.350	*2.350								
		4,5 m	kg	*2.200	*2.200		*3.800	3.050	*4.550	*4.550			
		3,0 m	kg	*2.250	*2.250		*4.150	2.950	*5.150	4.800	*8.000	*8.000	
		1,5 m	kg	*2.450	2.200		*4.450	2.850	*6.050	4.500	*7.750	*7.750	
		0,0 m	kg	*2.900	2.300		*4.450	2.750	*6.150	4.300	*7.250	*7.250	
	2,5 m	- 1,5 m	kg	*3.550	2.650		*3.800	2.750	*5.600	4.250	*6.250	*6.250	
		- 3,0 m	kg	*3.100	*3.100				*3.850	*3.850	*5.650	*5.650	
		7,5 m	kg										
		6,0 m	kg	*1.900	*1.900								
		4,5 m	kg	*1.800	*1.800		*3.700	3.100					
		3,0 m	kg	*1.850	*1.850		*3.950	3.000	*4.850	4.850	*7.250	*7.250	
	3,0 m	1,5 m	kg	*2.000	*2.000		*4.350	2.850	*5.850	4.550	*8.300	*8.300	
		0,0 m	kg	*2.300	2.100		*4.450	2.750	*6.100	4.300	*7.250	*7.250	
		- 1,5 m	kg	*2.950	2.350		*4.050	2.700	*5.850	4.250	*6.200	*6.200	
		- 3,0 m	kg	*3.100	3.100				*4.500	4.250	*6.500	*6.500	
		7,5 m	kg										
		6,0 m	kg	*1.600	*1.600		*2.700	*2.700					
	 <p>Outrigger front + rear</p>	2,1 m	4,5 m	kg	*1.550	*1.550		*3.350	3.100				
			3,0 m	kg	*1.550	*1.550	*2.400	1.950	*3.650	3.000	*4.400	*4.400	
			1,5 m	kg	*1.650	*1.650	*2.950	1.900	*4.150	2.850	*5.500	4.550	*9.550
			0,0 m	kg	*1.900	1.800	*2.650	1.850	*4.350	2.700	*5.950	4.300	*7.500
			- 1,5 m	kg	*2.350	2.000			*4.200	2.600	*5.800	4.150	*5.850
			- 3,0 m	kg	*2.900	2.550			*3.200	2.650	*4.950	4.150	*6.600
2,5 m		7,5 m	kg										
		6,0 m	kg	*1.600	*1.600			*2.700	*2.700				
		4,5 m	kg	*1.550	*1.550			*3.350	*3.350				
		3,0 m	kg	*1.550	*1.550	*2.400	*2.400	*3.650	*3.650	*4.400	*4.400		
		1,5 m	kg	*1.650	*1.650	*2.950	2.550	*4.150	3.750	*5.500	*5.500	*9.550	
		0,0 m	kg	*1.900	*1.900	*2.650	2.500	*4.350	3.600	*5.950	5.800	*7.500	
3,0 m		- 1,5 m	kg	*2.350	*2.350			*4.200	3.500	*5.800	5.650	*5.850	
		- 3,0 m	kg	*2.900	*2.900			*3.200	*3.200	*4.950	*4.950	*6.600	



A – Reach from swing center

B – Bucket hook height

C – Lifting capacities, including bucket (440 kg), bucket linkage (84 kg) and bucket cylinder (96 kg)

⊗ – Rating over front

⊗ – Rating over side




⊗ – Rating at maximum reach

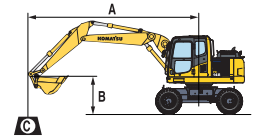
When removing bucket, linkage or cylinder, lifting capacities can be increased by their respective weights.

* Load is limited by hydraulic capacity rather than tipping. Ratings are based on SAE Standard No. J1097. Rated loads do not exceed 87% of hydraulic lift capacity or 75% of tipping load.

Lifting Capacity

TWO-PIECE BOOM

Arm length	A	B		7,5 m		6,0 m		4,5 m		3,0 m			
		Rating over front	Rating over side	Rating over front	Rating over side	Rating over front	Rating over side	Rating over front	Rating over side	Rating over front	Rating over side		
 Without stabilizer	2,1 m	7,5 m	kg	*2.300	*2.300			*3.650	3.450				
		6,0 m	kg	*1.900	1.800		3.050	2.050	*4.200	3.550			
		4,5 m	kg	*1.800	1.400		3.000	2.050	4.950	3.400	*5.000	*5.000	
		3,0 m	kg	*1.800	1.250	1.950	1.250	2.900	1.950	4.700	3.150		
		1,5 m	kg	1.850	1.150	1.900	1.200	2.800	1.850	4.400	2.900		
		0,0 m	kg	1.900	1.200			2.700	1.750	4.250	2.750		
	2,5 m	-1,5 m	kg	2.150	1.400			2.650	1.750	4.200	2.700	*7.400	5.100
		-3,0 m	kg							4.250	2.750		
		7,5 m	kg	*1.750	*1.750					*3.350	*3.350		
		6,0 m	kg	*1.500	*1.500			3.050	2.100	*3.450	*3.450		
		4,5 m	kg	*1.400	1.200	*1.750	1.250	3.000	2.050	*4.000	3.450	*3.500	*3.500
		3,0 m	kg	*1.400	1.050	1.950	1.250	2.900	1.950	4.700	3.150		
3,0 m	1,5 m	kg	*1.500	1.000	1.850	1.200	2.750	1.800	4.350	2.850			
	0,0 m	kg	*1.650	1.050	1.800	1.150	2.650	1.700	4.150	2.650	*4.050	4.050	
	-1,5 m	kg	1.900	1.200			2.600	1.650	4.100	2.600	*6.900	4.950	
	-3,0 m	kg					2.650	1.700	4.150	2.650			
	7,5 m	kg	*1.400	*1.400			*2.050	*2.050	*2.850	*2.850			
	6,0 m	kg	*1.200	*1.200			*2.800	2.150	*2.700	*2.700			
 Front or rear blade	2,1 m	7,5 m	kg	*2.300	*2.300			*3.650	*3.650				
		6,0 m	kg	*1.900	*1.900			*3.250	2.300	*4.200	3.900		
		4,5 m	kg	*1.800	1.600			*4.550	2.300	*5.100	3.750	*5.000	*5.000
		3,0 m	kg	*1.800	1.400	*2.400	1.450	*5.300	2.200	*6.900	3.500		
		1,5 m	kg	*1.900	1.350	*3.250	1.400	*5.700	2.050	*7.900	3.200		
		0,0 m	kg	*2.100	1.400			*5.800	2.000	*8.050	3.050		
	2,5 m	-1,5 m	kg	*2.600	1.550			*5.300	1.950	*7.400	3.050	*7.400	5.750
		-3,0 m	kg							*5.700	3.100		
		7,5 m	kg	*1.750	*1.750					*3.350	*3.350		
		6,0 m	kg	*1.500	*1.500			*3.150	2.300	*3.450	*3.450		
		4,5 m	kg	*1.400	1.400	*1.750	1.450	*3.850	2.250	*4.000	3.750	*3.500	*3.500
		3,0 m	kg	*1.400	1.200	*3.150	1.400	*5.000	2.150	*6.450	3.500		
3,0 m	1,5 m	kg	*1.500	1.150	*3.900	1.350	*5.500	2.000	*7.550	3.200			
	0,0 m	kg	*1.650	1.200	*3.850	1.300	*5.700	1.900	*8.000	3.000	*4.050	*4.050	
	-1,5 m	kg	*2.000	1.350			*5.400	1.850	*7.550	2.900	*6.900	5.500	
	-3,0 m	kg					*4.150	1.900	*6.150	2.950			
	7,5 m	kg	*1.400	*1.400			*2.050	*2.050	*2.850	*2.850			
	6,0 m	kg	*1.200	*1.200			*2.800	2.400	*2.700	*2.700			
 Rear outrigger	2,1 m	7,5 m	kg	*2.300	*2.300			*3.650	*3.650				
		6,0 m	kg	*1.900	*1.900			*3.250	2.650	*4.200	*4.200		
		4,5 m	kg	*1.800	*1.800			*4.550	2.600	*5.100	4.300	*5.000	*5.000
		3,0 m	kg	*1.800	1.650	*2.400	1.700	*5.300	2.500	*6.900	4.000		
		1,5 m	kg	*1.900	1.550	*3.250	1.650	*5.700	2.400	*7.900	3.750		
		0,0 m	kg	*2.100	1.600			*5.800	2.300	*8.050	3.600		
	2,5 m	-1,5 m	kg	*2.600	1.850			*5.300	2.300	*7.400	3.550	*7.400	6.850
		-3,0 m	kg							*5.700	3.600		
		7,5 m	kg	*1.750	*1.750					*3.350	*3.350		
		6,0 m	kg	*1.500	*1.500			*3.150	2.650	*3.450	*3.450		
		4,5 m	kg	*1.400	*1.400	*1.750	1.700	*3.850	2.600	*4.000	*4.000	*3.500	*3.500
		3,0 m	kg	*1.400	*1.400	*3.150	1.650	*5.000	2.500	*6.450	4.000		
3,0 m	1,5 m	kg	*1.500	1.400	*3.900	1.600	*5.500	2.350	*7.550	3.700			
	0,0 m	kg	*1.650	1.450	*3.850	1.550	*5.700	2.250	*8.000	3.500	*4.050	*4.050	
	-1,5 m	kg	*2.000	1.600			*5.400	2.200	*7.550	3.450	*6.900	6.650	
	-3,0 m	kg					*4.150	2.250	*6.150	3.500			
	7,5 m	kg	*1.400	*1.400			*2.050	*2.050	*2.850	*2.850			
	6,0 m	kg	*1.200	*1.200			*2.800	2.700	*2.700	*2.700			





- A – Reach from swing center
- B – Bucket hook height
- C – Lifting capacities, including bucket (440 kg), bucket linkage (84 kg) and bucket cylinder (96 kg)

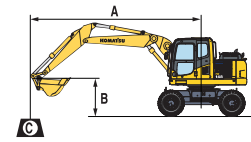
- Rating over front
- Rating over side
- Rating at maximum reach

When removing bucket, linkage or cylinder, lifting capacities can be increased by their respective weights.

* Load is limited by hydraulic capacity rather than tipping. Ratings are based on SAE Standard No. J1097. Rated loads do not exceed 87% of hydraulic lift capacity or 75% of tipping load.

TWO-PIECE BOOM

Arm length	A B	7,5 m		6,0 m		4,5 m		3,0 m				
 Outrigger + blade	2,1 m	7,5 m kg	*2.300	*2.300			*3.650	*3.650				
		6,0 m kg	*1.900	*1.900			*3.250	*3.250	*4.200	*4.200		
		4,5 m kg	*1.800	*1.800			*4.550	3.750	*5.100	*5.100	*5.000	*5.000
		3,0 m kg	*1.800	*1.800	*2.400	*2.400	*5.300	3.650	*6.900	5.800		
		1,5 m kg	*1.900	*1.900	*3.250	2.450	*5.700	3.500	*7900	5.500		
		0,0 m kg	*2.100	*2.100			*5.800	3.400	*8.050	5.350		
	- 1,5 m kg	*2.600	*2.600			*5.300	3.400	*7.400	5.300	*7.400	*7.400	
	- 3,0 m kg							*5.700	5.350			
	2,5 m	7,5 m kg	*1.750	*1.750			*3.350	*3.350				
		6,0 m kg	*1.500	*1.500			*3.150	*3.150	*3.450	*3.450		
		4,5 m kg	*1.400	*1.400	*1.750	*1.750	*3.850	3.750	*4.000	*4.000	*3.500	*3.500
		3,0 m kg	*1.400	*1.400	*3.150	2.450	*5.000	3.600	*6.450	5.850		
		1,5 m kg	*1.500	*1.500	*3.900	2.400	*5.500	3.450	*7550	5.500		
		0,0 m kg	*1.650	*1.650	*3.850	2.350	*5.700	3.350	*8.000	5.250	*4.050	*4.050
	- 1,5 m kg	*2.000	*2.000			*5.400	3.300	*7.550	5.200	*6.900	*6.900	
	- 3,0 m kg					*4.150	3.350	*6.150	5.250			
	3,0 m	7,5 m kg	*1.400	*1.400			*2.050	*2.050	*2.850	*2.850		
		6,0 m kg	*1.200	*1.200			*2.800	*2.800	*2.700	*2.700		
4,5 m kg		*1.100	*1.100	*2.500	*2.500	*3.150	*3.150	*2.950	*2.950			
3,0 m kg		*1.100	*1.100	*3.150	2.500	*4.150	3.650	*5.050	*5.050			
1,5 m kg		*1.150	*1.150	*3.900	2.400	*5.300	3.500	*7.200	5.550			
0,0 m kg		*1.300	*1.300	*4.350	2.350	*5.650	3.350	*7.900	5.300	*4.250	*4.250	
- 1,5 m kg	*1.550	*1.550	*3.700	2.300	*5.550	3.300	*7.750	5.150	*6.250	*6.250		
- 3,0 m kg	*2.050	*2.050			*4.700	3.300	*6.750	5.200	*9.800	*9.800		
 Outrigger front + rear	2,1 m	7,5 m kg	*2.300	*2.300			*3.650	*3.650				
		6,0 m kg	*1.900	*1.900			*3.250	*3.250	*4.200	*4.200		
		4,5 m kg	*1.800	*1.800			*4.550	4.500	*5.100	*5.100	*5.000	*5.000
		3,0 m kg	*1.800	*1.800	*2.400	*2.400	*5.300	4.350	*6.900	*6.900		
		1,5 m kg	*1.900	*1.900	*3.250	2.950	*5.700	4.250	*7900	6.750		
		0,0 m kg	*2.100	*2.100			*5.800	4.150	*8050	6.550		
	- 1,5 m kg	*2.600	*2.600			*5.300	4.100	*7400	6.500	*7.400	*7.400	
	- 3,0 m kg							*5.700	*5.700			
	2,5 m	7,5 m kg	*1.750	*1.750			*3.350	*3.350				
		6,0 m kg	*1.500	*1.500			*3.150	*3.150	*3.450	*3.450		
		4,5 m kg	*1.400	*1.400	*1.750	*1.750	*3.850	*3.850	*4.000	*4.000	*3.500	*3.500
		3,0 m kg	*1.400	*1.400	*3.150	2.950	*5.000	4.350	*6.450	*6.450		
		1,5 m kg	*1.500	*1.500	*3.900	2.900	*5.500	4.200	*7.550	6.700		
		0,0 m kg	*1.650	*1.650	*3.850	2.850	*5.700	4.050	*8.000	6.500	*4.050	*4.050
	- 1,5 m kg	*2.000	*2.000			*5.400	4.000	*7.550	6.400	*6.900	*6.900	
	- 3,0 m kg					*4.150	4.050	*6.150	*6.150			
	3,0 m	7,5 m kg	*1.400	*1.400			*2.050	*2.050	*2.850	*2.850		
		6,0 m kg	*1.200	*1.200			*2.800	*2.800	*2.700	*2.700		
4,5 m kg		*1.100	*1.100	*2.500	*2.500	*3.150	*3.150	*2.950	*2.950			
3,0 m kg		*1.100	*1.100	*3.150	3.000	*4.150	*4.150	*5.050	*5.050			
1,5 m kg		*1.150	*1.150	*3.900	2.900	*5.300	4.250	*7.200	6.800			
0,0 m kg		*1.300	*1.300	*4.350	2.850	*5.650	4.100	*7.900	6.500	*4.250	*4.250	
- 1,5 m kg	*1.550	*1.550	*3.700	2.800	*5.550	4.000	*7.750	6.400	*6.250	*6.250		
- 3,0 m kg	*2.050	*2.050			*4.700	4.000	*6.750	6.400	*9.800	*9.800		



A – Reach from swing center

B – Bucket hook height

C – Lifting capacities, including bucket (440 kg), bucket linkage (84 kg) and bucket cylinder (96 kg)

– Rating over front

– Rating over side

– Rating at maximum reach

When removing bucket, linkage or cylinder, lifting capacities can be increased by their respective weights.

* Load is limited by hydraulic capacity rather than tipping. Ratings are based on SAE Standard No. J1097. Rated loads do not exceed 87% of hydraulic lift capacity or 75% of tipping load.

Hydraulic Wheeled Excavator

PW148-8

Standard and Optional Equipment

ENGINE

Komatsu SAA4D107E-1 turbocharged common rail direct injection diesel engine EU Stage IIIA/EPA Tier III compliant	●
Suction type cooling fan	●
Automatic engine warm-up system	●
Engine overheat prevention system	●
Fuel control dial	●
Auto-deceleration function	●
Engine ignition can be password secured on request	●
Batteries 2 × 12 V/120 Ah	●
Engine room lamp	○
Engine pre-heater (diesel fueled)	○

HYDRAULIC SYSTEM

Electronic closed-centre load sensing (E-CLSS) hydraulic system (HydrauMind)	●
Pump and engine mutual control (PEMC) system	●
5-Working mode selection system; Power mode, economy mode, breaker-mode, lifting mode and attachment mode	●
PowerMax function	●
Adjustable PPC wrist control levers for arm, boom, bucket and swing, with sliding proportional control for attachments and 5 auxiliary buttons, with FNR switch	●
Additional hydraulic circuit (HCU-B)	●
Additional hydraulic circuit (HCU-C)	○
Prepared for hydraulic quick-coupler	○

SERVICE AND MAINTENANCE

Automatic fuel line de-aeration	●
Double element type air cleaner with dust indicator and auto dust evacuator	●
KOMTRAX™ - Komatsu satellite monitoring system	●
Multi-function video compatible colour monitor with Equipment Management and Monitoring System (EMMS) and efficiency guidance	●
Toolkit	●
Centralised greasing system	●
Automatic greasing system	○

CABIN

SpaceCab™; Highly pressurised and tightly sealed hyper viscous mounted cab with tinted safety glass windows, large roof window with sun shade, pull-up type front window with locking device, removable lower window, front window wiper with intermittent feature, sun roller blind, cigarette lighter, ashtray, luggage shelf, floor mat	●
Heated air suspension seat with lumbar support, height adjustable arm rests and retractable seat belt	●
Automatic climate control system	●
12 Volt power supply	●
Beverage holder and magazine rack	●
Hot and cool box	●
CD radio	○
Adjustable, suspended seat	○
Lower wiper	○
Rain visor (not with OPG)	○

SAFETY EQUIPMENT

Rear view camera system	●
Electric horn	●
Overload warning device	●
Lockable fuel cap and covers	●
Audible travel alarm	●
Large handrails, rear-view mirrors	●
Battery main switch	●
Boom safety valves	●
Arm safety valve	○
Adjust cylinder safety valve	○
OPG Level II front guard (FOPS)	○
OPG Level II top guard (FOPS)	○
Optical back-up alarm (strobe light)	○
Back-up alarm (white noise version)	○
Side view camera system	○
Super tone horn (no road approval)	○

WORK EQUIPMENT

Mono boom	○
Two-piece boom	○
2,1 m; 2,5 m; 3,0 m arms	○
Clamshell grip bar	○

UNDERCARRIAGE

Parallel blade (front and/or rear) with cylinder protection	○
2 or 4 outriggers with cylinder protection	○
Four sets of tyre and rim (twin tyre) 10.00-20 14 PR	○
Four sets of tyre and rim (single tyre) 18.00-19.5	○
Nokian twin tyres 10-20	○
Fenders	○

DRIVES AND BRAKES

Fully automatic 3-speed transmission driving through front and rear planetary axles	●
Oscillating front axle (10°) with automatic and manual cylinder locking	●
Cruise control	●
20 or 25 km/h speed limitation	○
Transmission guard	○

LIGHTING SYSTEM

Working lights: 2 revolving frame, 1 counterweight (rear), 1 boom (LH)	●
Additional RH boom lamp	○
Xenon working lights	○
Beacon + rear facing cab lamp	○
Additional large capacity cab roof lights (4)	○

OTHER EQUIPMENT

Standard counterweight	●
Electric refuelling pump with automatic shut off function	●
Standard colour scheme and decals	●
Parts book and operator manual	●
Single chassis tool box (250 ltr)	●
Additional chassis tool box (250 ltr)	○
Biodegradable oil for hydraulic system	○
Customised paint	○

Further equipment on request

- standard equipment
- optional equipment

Your Komatsu partner:

KOMATSU

**Komatsu Europe
International NV**
Mechelsesteenweg 586
B-1800 VILVOORDE (BELGIUM)
Tel. +32-2-255 24 11
Fax +32-2-252 19 81
www.komatsu.eu

VESS003200 03/2010

Materials and specifications are subject to change without notice.
KOMATSU is a trademark of Komatsu Ltd. Japan.